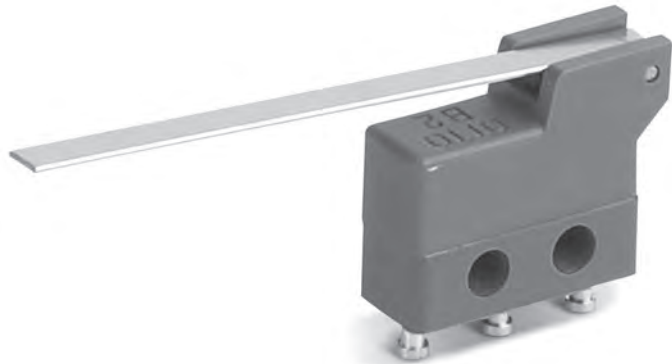


Basic Switches



SERIES	FEATURE	MAX RATING (Resistive)	MECHANICAL LIFE	APPROVALS	CIRCUITRY
B1	Ultra Small	2A	100,000	N/A	SPST, SPDT
B1-5	Levers	2A	1,000,000	N/A	SPST, SPDT
B2	Subminiature	7A	250,000	UL (E61705), CSA (LR43865), DSCC (QPL8805)	SPST, SPDT
B2-5	Subminiature with Integral Levers	7A	100,000	UL (E61705), CSA (LR43865), DSCC (QPL8805)	SPST, SPDT
B3	Subminiature	8A	1,000,000	UL (E61705), CSA (LR43865), DSCC (QPL8805)	SPST-DB, SPDT-DB
B5	Miniature	10A	1,000,000	UL (E61705), CSA (LR43865), DSCC (QPL8805)	SPST-DB, SPDT-DB
B5-7	Two Pole	10A	100,000	UL (E61705), CSA (LR43865), DSCC (QPL8805)	DPDT-DB

ULTRA SMALL SUBMINIATURE BASICS

B1
BASIC
SWITCHES

SINGLE BREAK, COMMERCIAL & MILITARY GRADES

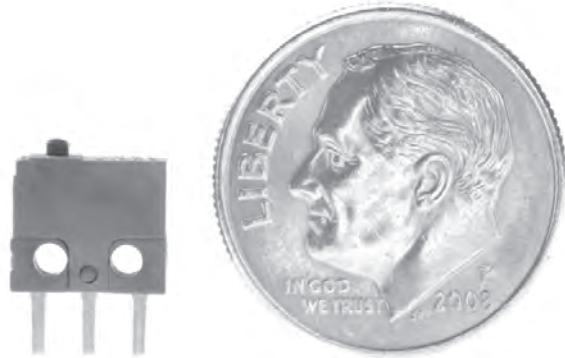
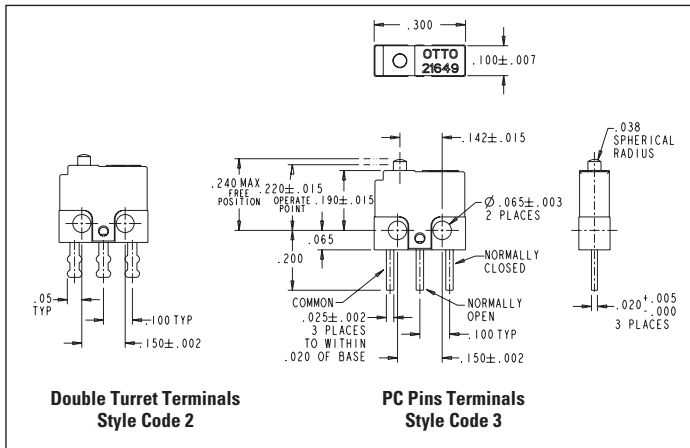
The B1 series basic switches are ultra-subminiature in size, designed to reliably switch low level logic signals as well as up to 2 amps switching capacity for a minimum of 25,000 cycles. Mechanical life expectancy is in excess of one million cycles.

The molded housing is rugged and structurally stable. The terminals are molded-in and sealed against solder flux entering the switch. The terminals are available in a choice of double turret solder style and 0.020" x 0.025" PC pins.

The B1 series is also available with integral lever actuators as B1-5 series.

Features:

- **Ultra-compact: only 0.300" w x 0.255" h x 0.100" thick**
- **1 million cycle life, B1-5 Series**
- **Low level or logic level switching capability**
- **Designed to meet requirements of MIL-PRF-8805/94**
- **Available in Commercial & Military grades**
- **Choice of solder or PC molded-in terminals**
- **Precision operating points**
- **RoHS/WEEE/Reach compliant**



Standard Characteristics/Ratings:

ELECTRICAL RATINGS:

Load	Sea Level @ 28VDC or 115VAC, 60Hz	50,000 feet @ 28VDC
Resistive	2A	2A
Inductive*	0.5A	0.2A
DWV	1050Vrms	400Vrms
Low Level	30mV max and 10mA max	30mV and 10mA max

*L/R = 0.026

Electrical Life:	25,000 cycles
Mechanical Life:	B1 Series is 100,000 cycles (B1-5 Series is 1,000,000 cycles)
Seal:	Unsealed
Operating Temp Range:	-55°C to +125°C
Operating Force:	6 oz max
Release Force:	0.7 oz min
Operate Point:	0.220 +/- 0.015 inches from mounting holes
Overtravel:	0.003 inches min
Movement Differential:	0.002 inches nominal, 0.005 inches max
Pretravel:	0.015 inches max

MATERIALS:

Case:	Thermoset, blue
Cover:	Thermoplastic, blue
Button:	Thermoplastic, black
Terminals:	Brass, gold over nickel
Contacts:	Stationary: Silver with gold Moveable: Silver with gold
Terminal Hardware:	None provided
Mounting Hardware:	None provided

ORDERING INFORMATION:

B1 Basic

Select the OTTO B1 basic switch to match your specific circuit and mechanical requirements. To order, specify your requirement using the OTTO Part Number Code shown below.

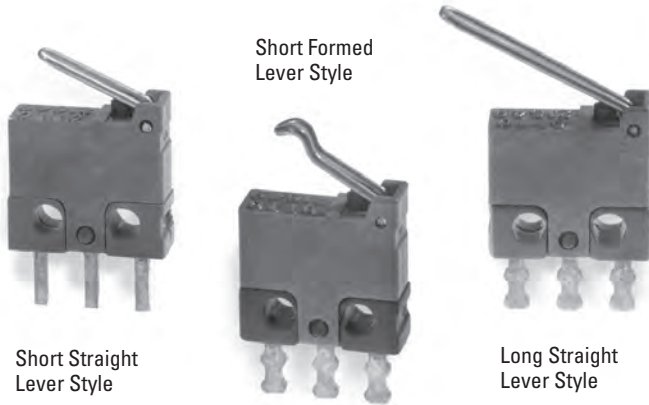
Example: B1-12111 specifies Military grade construction, double turret terminals, 6 oz max operating force and silver/gold high current contacts.

B1 PART NUMBER CODE

B1	-	X	X	X	X
Construction Grade		Terminal Style*	Operating Force	Movement Differential	Contact Material
1. Military 2. Commercial		2. Double Turret 3. PC Pins	1.6 oz max	1. 0.005" max	1. Silver/Gold – High Current 3. Silver/Gold – Low Current

* Wire leads available, contact factory.

SNAP-ACTION, SINGLE BREAK BASIC SWITCHES



B1-5 Integral Lever Basic Switches

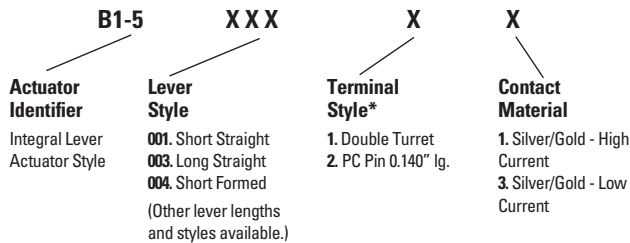
B1-5 series basic switches feature integral actuating levers. The lever is built-in so that the switch and actuator are one assembly.

Making the lever actuator an integral part of the basic switch case makes sense and saves money, too. Better precision, no parts to assemble and more variety add up to a cost saving proposition.

Lever Style	STANDARD OPERATIONAL CHARACTERISTICS						
	Catalog Number	Operating Force (max ounces)	Release Force (min ounces)	Pretravel (max inches)	Overtravel (min inches)	Movement Differential (max inches)	Operating Point (inches)
Short Straight Lever	B1-500111	1.8	0.11	0.054	0.015	0.016	0.250 +/- 0.025
Long Straight Lever	B1-500311	1.0	0.09	0.185	0.023	0.032	0.293 +/- 0.070
Short Formed Lever	B1-500411	2.0	0.15	0.030	0.015	0.020	0.293 +/- 0.025

(Other lever lengths and styles available.)

B1-5 PART NUMBER CODE



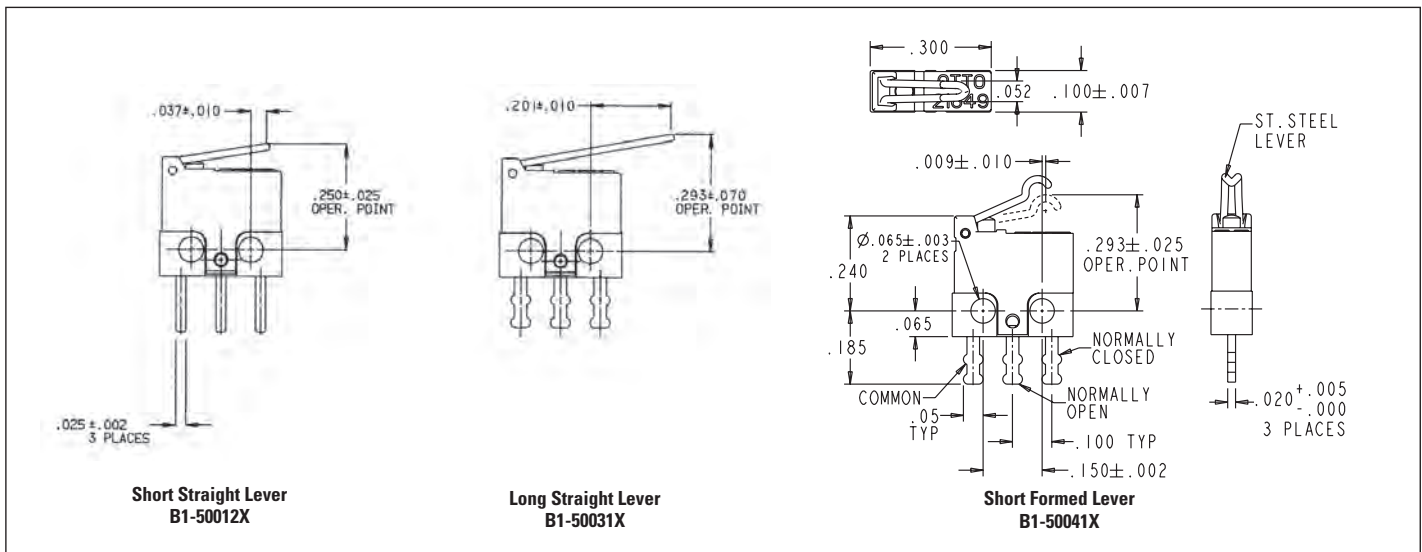
* Wire leads available, contact factory.

ORDERING INFORMATION:

B1-5 Series, Basic Switch with Integral Lever Actuator

Select the OTTO B1-5 basic switch to match your specific circuit and mechanical requirements. To order, specify your requirement using the OTTO Part Number Code shown at left.

Example: B1-500111 specifies short straight integral lever, double turret terminals and silver/gold high current contacts.



SINGLE BREAK, COMMERCIAL & MILITARY GRADES, TWO WIDTHS

Available in two widths, the B2 series can be specified to fit your application exactly.

In addition to being available with integral actuating levers as in the B2-5 series, the B2 series is also available with the A1 series auxiliary lever actuators as shown in the B3 section.

While the B2 series conforms to and is qualified to various military specifications, the same switch can be specified for commercial use at a cost savings.

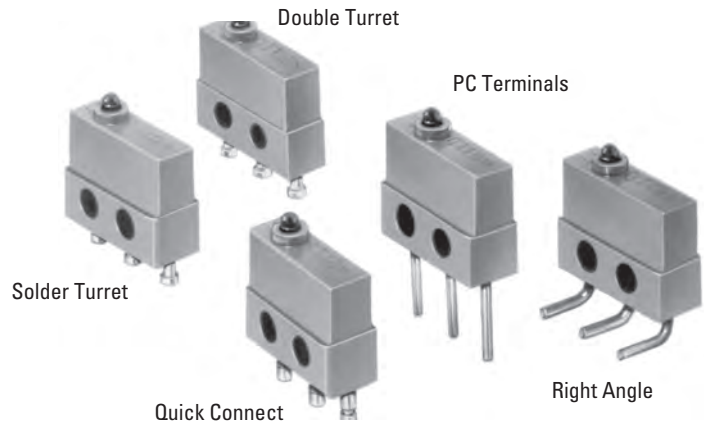
A choice of turret, quick connect and three lengths of printed circuit board style terminals are available for both the 0.156" and 0.200" wide models.

Whether it be military or commercial applications, OTTO can provide features you select for your application. You can specify the features you require without paying for ones you don't need.

The OTTO B2 sub-miniature switches conform to and are qualified under MIL-PRF-8805/4, MIL-PRF-8805/106 (high temp -55°C to +205°C) and MIL-PRF-8805/109. Basic switches are designed for miniature spaces where cam or other limit actuators are used on the button. In addition, a full range of toggle, pushbutton and lever actuators are available.

Features:

- Choice of 0.156" & 0.200" wide models
- Up to 7 amps switching
- Sensitive movement differentials
- Low operating forces
- Choice of 8 terminal styles or wire leads
- Long operating life
- Qualified under MIL-PRF-8805/4, MIL-PRF-8805/106 & MIL-PRF-8805/109
- UL recognized & CSA certified
- RoHS/WEEE/Reach compliant



Standard Characteristics/Ratings:

ELECTRICAL RATINGS:

High Level Switch Ratings		
Load	Rating – Sea Level	Rating – 50,000 feet
115/250VAC, 60Hz silver contacts with gold plate		
Resistive	7A	N/A
Inductive	7A	N/A
Lamp	2A	N/A
28VDC, silver contacts with gold plate		
Resistive	7A	4A
Inductive	4A	2.5A
Lamp	2.5A	2.5A
Low Level Switch Ratings		
28VDC, gold plate contacts		
Resistive	1A	1A
Inductive	0.5A	0.5A
Lamp	N/A	N/A
DWV:	1050Vrms	400Vrms
Electrical Life:	Up to 50,000 cycles	
Mechanical Life:	Up to 250,000 cycles	
Seal:	Unsealed	
Operating Temp Range:	-55°C to +85°C, high temp rating -55°C to +205°C	
Operating Force:	5 oz or 6 oz	
Release Force:	1 oz min	
Operate Point:	0.320 +/- 0.015 inches from mounting holes	
Overtravel:	0.004 inches min	
Movement Differential:	0.006 inches max	
Pretravel:	0.020 inches max	
MATERIALS:		
Case:	Thermoset, blue	
Cover:	Thermoplastic, blue	
Button:	Thermoplastic, black	
Terminals:	Brass, gold over nickel	
Contacts:	Stationary: Silver with gold Moveable: Silver or gold	
Terminal Hardware:	None provided	
Optional Wires:	24 AWG blue, red, yellow	
Mounting Hardware:	None provided	

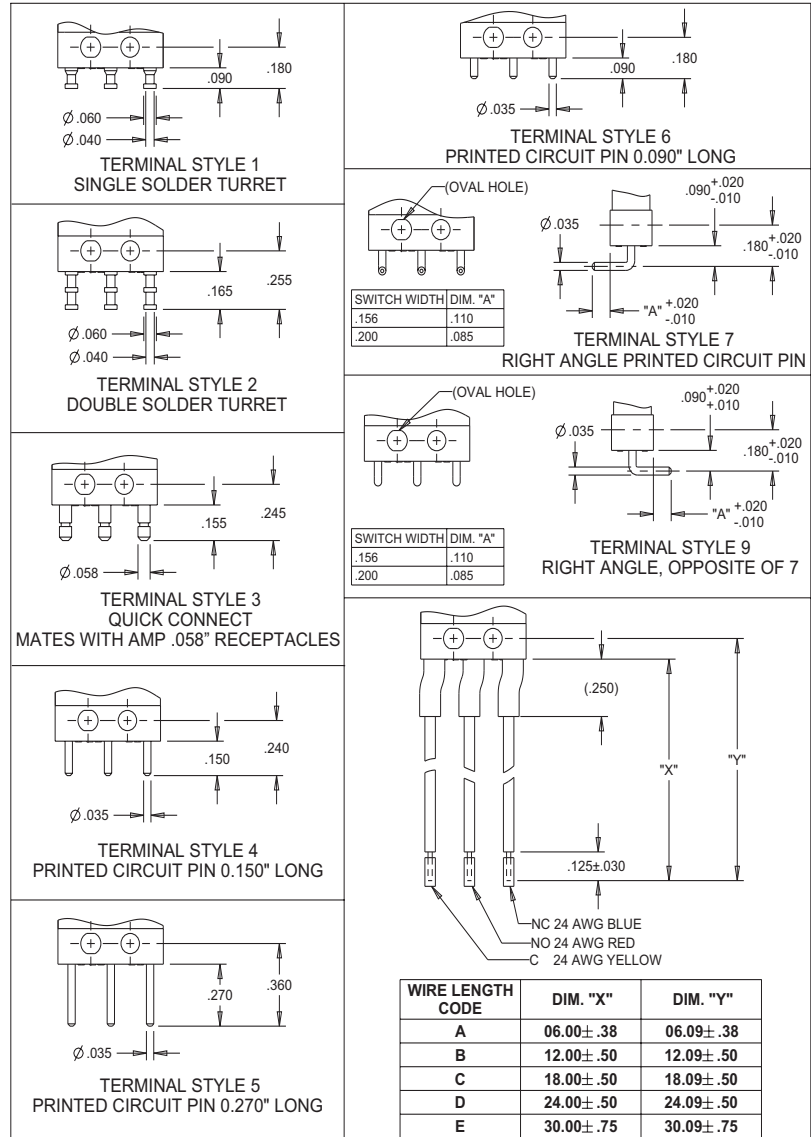
SINGLE BREAK, COMMERCIAL & MILITARY GRADES, TWO WIDTHS

MILITARY APPROVALS

(MIL-PRF-8805/4, MIL-PRF-8805/106 & MIL-PRF-8805/109)

Certain OTTO B2 models have been qualified to the military specification for these parts. The following is the latest listing.

MILITARY NO.	OTTO P/N
M8805/106-01	B2-200031
M8805/106-02	B2-200032
M8805/109-01	B2-111351
M8805/109-02	B2-112351
M8805/109-03	B2-111353
M8805/109-04	B2-112353
MS24547-1 (M8805/4)	B2-211351
MS24547-2 (M8805/4)	B2-211353
MS24547-4 (M8805/4)	B2-212351
MS24547-5 (M8805/4)	B2-212353
MS24547-6 (M8805/4)	B2-200029
MS24547-7 (M8805/4)	B2-200030



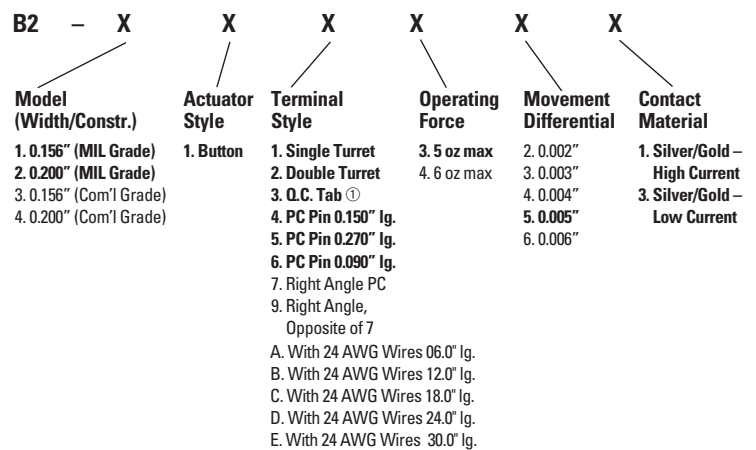
ORDERING INFORMATION:

Select the OTTO B2 basic switch to match your specific circuit and mechanical requirements. To order, specify your requirement using the OTTO Part Number Code shown to the right.

Example: B2-112351 specifies Military grade construction on a 0.156" wide base, double turret terminals, 5 oz operating force, 0.005" movement differential and silver/gold high current contacts.

B2 PART NUMBER CODE

Bold Code numbers signify standard features with best availability.

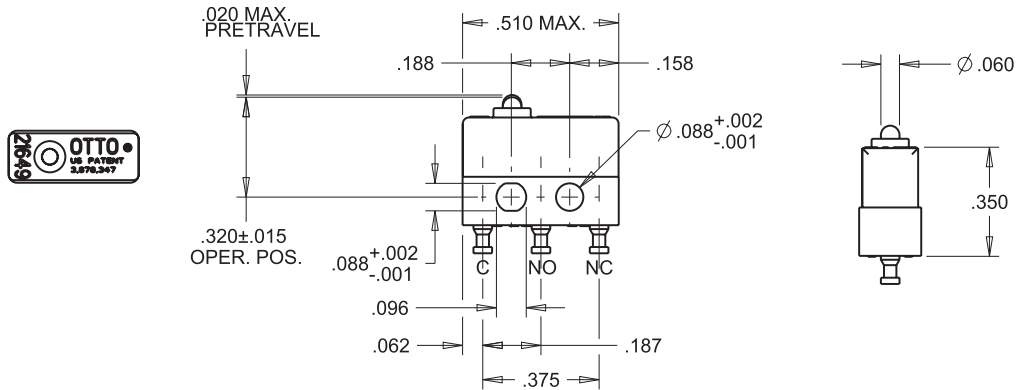


① Mates with AMP 0.058" receptacles.

BASIC SWITCHES

SINGLE BREAK, COMMERCIAL & MILITARY GRADES, TWO WIDTHS

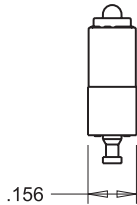
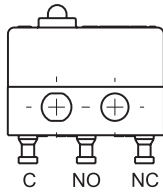
BASIC SWITCH
APPLIES TO ALL SWITCHES ON THIS PAGE



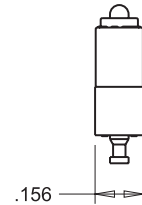
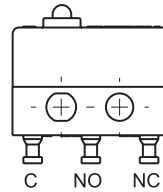
MODEL (WIDTH/CONSTRUCTION) 1
0.156" (MILITARY GRADE)



MILITARY NO.	OTTO P/N
M8805/109-01	B2-111351
M8805/109-02	B2-112351
M8805/109-03	B2-111353
M8805/109-04	B2-112353



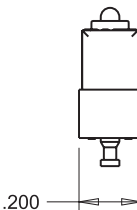
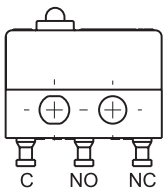
MODEL (WIDTH/CONSTRUCTION) 3
0.156" (COMMERCIAL GRADE)



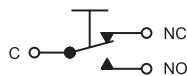
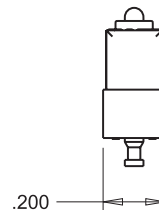
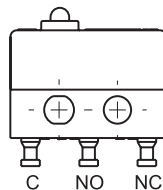
MODEL (WIDTH/CONSTRUCTION) 2
0.200" (MILITARY GRADE)



MILITARY NO.	OTTO P/N
MS24547-1 (M8805/4)	B2-211351
MS24547-4 (M8805/4)	B2-212351
MS24547-2 (M8805/4)	B2-211353
MS24547-5 (M8805/4)	B2-212353



MODEL (WIDTH/CONSTRUCTION) 4
0.200" (COMMERCIAL GRADE)



SPDT-FORM C
SCHEMATIC

CHOICE OF STRAIGHT, FORMED OR ROLLER LEVERS



B2-500571

B2-500411

B2-501691

B2-500211

B2-500333

Shown are examples of available lever styles.

B2-5 Integral Lever Basic Switches

B2-5 series basic switches feature integral actuating levers. The lever is built-in so that the switch and actuator are one assembly.

Making the lever actuator an integral part of the basic switch case makes sense and saves money, too. Better precision, no auxiliary parts for you to assemble, and more variety add up to a cost saving proposition.

Lever Style	Catalog Number	STANDARD OPERATIONAL CHARACTERISTICS					
		Operating Force (max ounces)	Release Force (min ounces)	Pretravel (max inches)	Overtravel (min inches)	Move't Differ'l (max inches)	Operating Point (inches)
Short Lever	B2-500111	1.76	0.32	0.065	0.014	0.020	0.332 +/- 0.045
Medium Lever	B2-500211	1.10	0.18	0.115	0.025	0.035	0.325 +/- 0.075
Long Lever	B2-500311	0.71	0.11	0.185	0.046	0.060	0.305 +/- 0.115
Short Formed Lever	B2-500411	2.10	0.39	0.050	0.010	0.015	0.545 +/- 0.036
Long Formed Lever	B2-500511	1.10	0.18	0.105	0.022	0.035	0.559 +/- 0.065
Lever Style with Hole	B2-500611	1.10	0.18	0.115	0.025	0.035	0.325 +/- 0.075
Short "V" Lever	B2-501211	3.00	0.57	0.042	0.010	0.010	0.411 +/- 0.011
Roller Sleeve Sideways	B2-501611	2.29	0.43	0.065	0.008	0.020	0.581 +/- 0.045
Roller Lever in Line	B2-501911	2.29	0.43	0.070	0.008	0.020	0.581 +/- 0.050

B2-5 PART NUMBER CODE

B2-5 X X X

Lever Style*

- 001. Short Straight
- 002. Medium Straight
- 003. Long Straight
- 004. Short Formed
- 005. Long Formed
- 006. With Hole
- 012. Short "V"
- 016. Roller Sleeve Sideways
- 019. Roller Lever in Line

X

Terminal Style or Wire Length

- 1. Single Solder Turret
- 2. Double Solder Turret
- 3. Quick Connect
- 4. PC Pin 0.150" lg.
- 5. PC Pin 0.270" lg.
- 6. PC Pin 0.090" lg.
- 7. Right Angle PC Pin
- 9. Right Angle**
- A. With Wires 06.0" lg.
- B. With Wires 12.0" lg.
- C. With Wires 18.0" lg.
- D. With Wires 24.0" lg.
- E. With Wires 30.0" lg.

X

Contact Material

- 1. Silver/Gold - High Current
- 3. Silver/Gold - Low Current

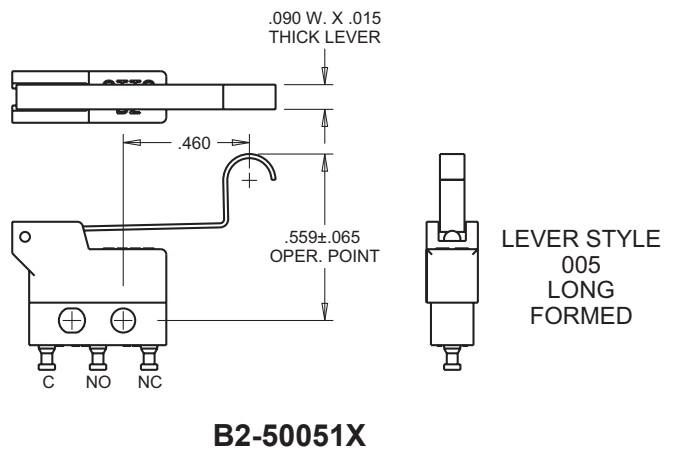
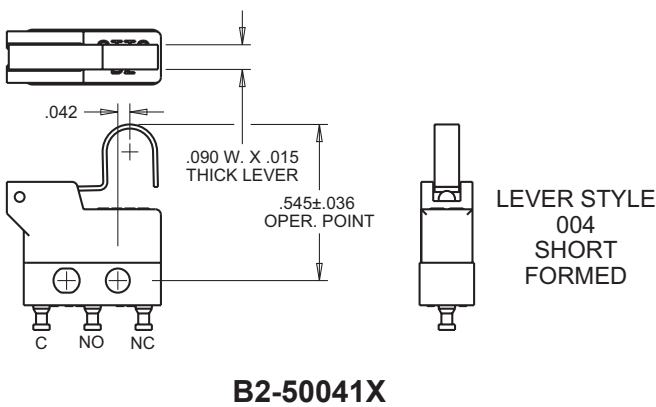
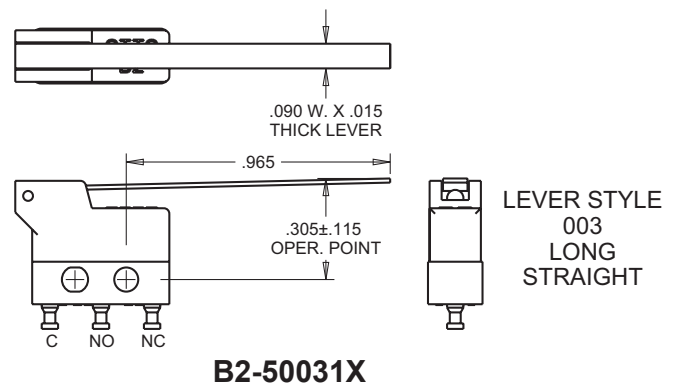
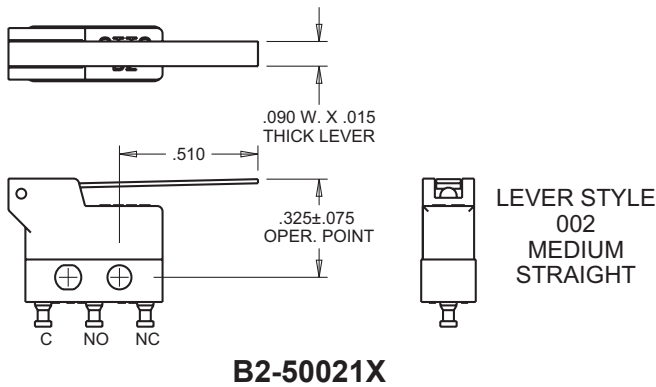
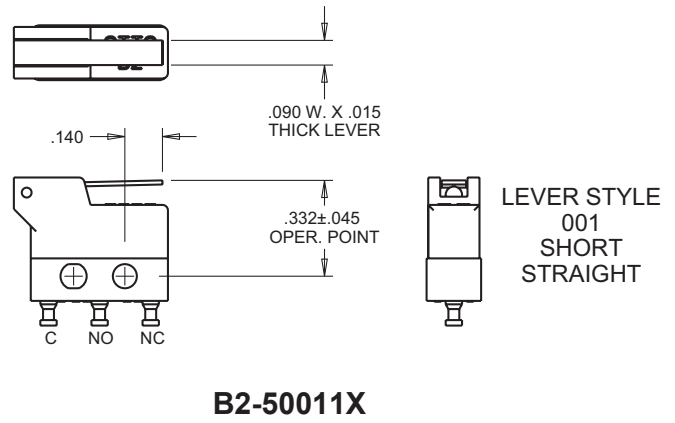
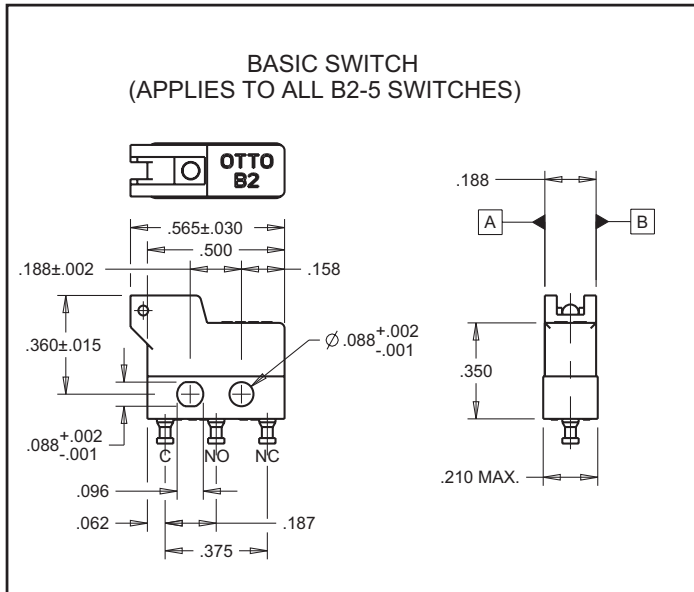
* For additional lever options, contact factory.

** Opposite of 7

B2 BASICS WITH INTEGRAL LEVERS

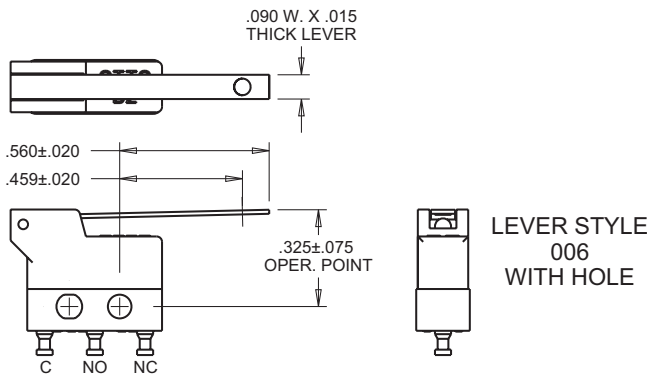
B2-5
BASIC
SWITCHES

CHOICE OF STRAIGHT, FORMED OR ROLLER LEVERS

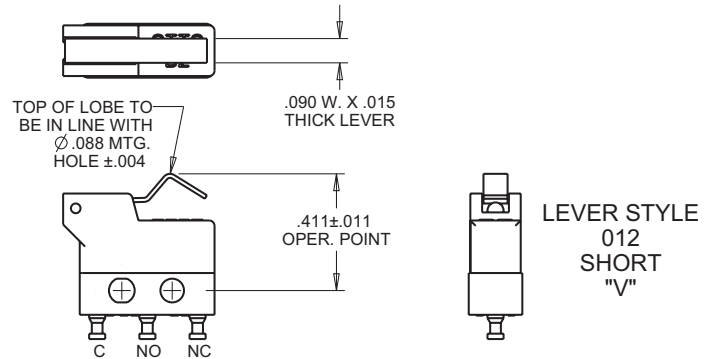


B2 BASICS WITH INTEGRAL LEVERS

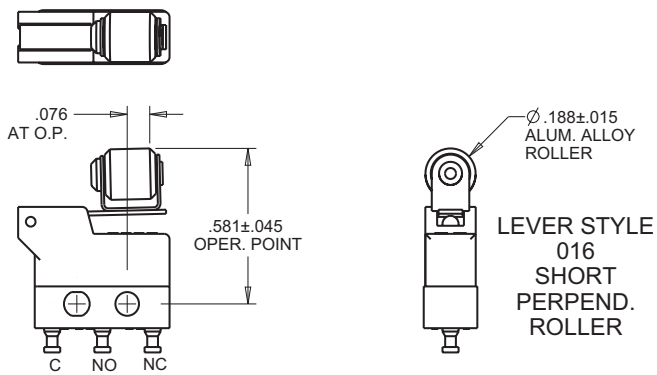
CHOICE OF STRAIGHT, FORMED OR ROLLER LEVERS



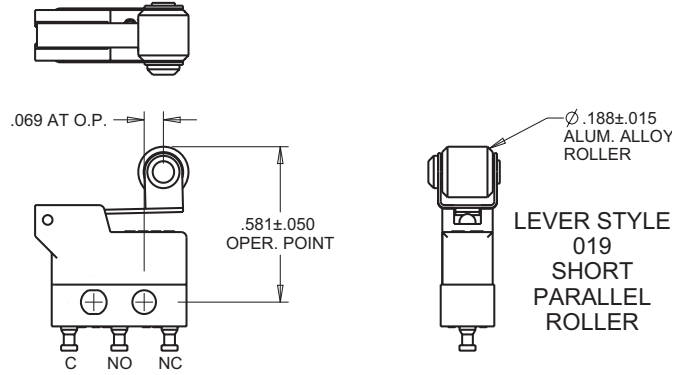
B2-50061X



B2-50121X



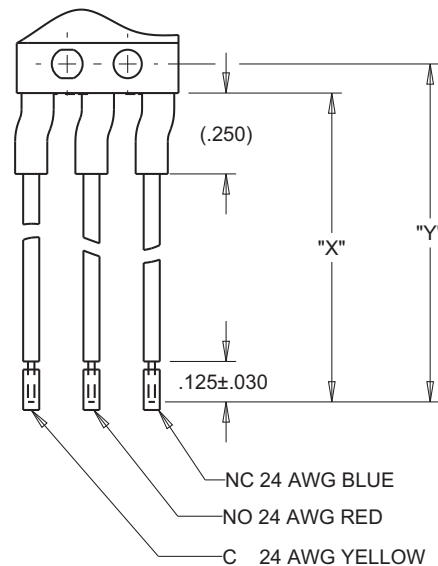
B2-50161X



B2-50191X

WIRE LENGTHS
(APPLIES TO ALL B2-5 SWITCHES)

WIRE LENGTH CODE	DIM. "X"	DIM. "Y"
A	06.00 ± .38	06.09 ± .38
B	12.00 ± .50	12.09 ± .50
C	18.00 ± .50	18.09 ± .50
D	24.00 ± .50	24.09 ± .50
E	30.00 ± .75	30.09 ± .75



COMMERCIAL & MILITARY GRADES, SUB-SUBMINIATURE DOUBLE BREAK, SNAP-ACTION

MIL-PRF-8805/76 (0.200 inches wide)

OTTO's B3-2XXXX series is a sub-subminiature switch that meets all requirements of MIL-PRF-8805/76. Designed to switch at least one million mechanical cycles, the B3 surpasses the requirements of the military in these categories: contact resistance less than 25mΩ, contact pressure, contact bounce and overall cycle life. For MIL-PRF-8805/76 requirements, B3-22141 has standard silver with gold contacts, SPDT double break two circuit (Form Z), solder terminals in thermoset case material. Gold plate contacts are available for non-military applications. UL recognized and CSA certified models available.

MIL-PRF-8805/101 (0.156 inches wide)

For your really difficult projects, try OTTO'S B3 series. They meet the OTTO inspired MIL-PRF-8805/101 specification. Only 0.156" thick, think of all those extra 0.044" you can use in those tight ganged jobs. With the B3 series, you can get an extra pole in where only four MIL-PRF-8805/76s fit, with room to spare. Examine the characteristics. With the MIL-PRF-8805/101, the only thing you give up is the extra space the MIL-PRF-8805/76 takes. Cycle life, very low contact resistance, higher than normal contact pressures, minimal contact bounce...everything is exactly as provided by the MIL-PRF-8805/76 specification.

For MIL-PRF-8805/101 requirements, B3-11141 (PC pin) and B3-12141 (turret) have silver with gold contacts and SPDT double break (Form Z) contact. For commercial applications, a variety of contact forms, special forces and gold plate contacts are available. Most versions are also UL recognized and CSA certified.

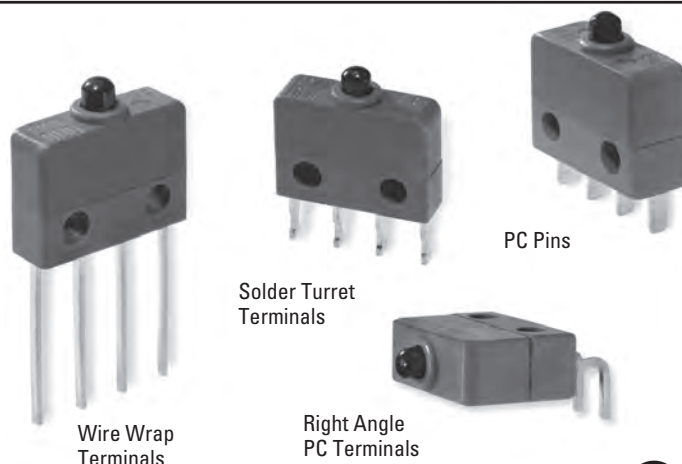
Great circuit versatility is available with either switch style. You have your choice of normally open (Form X) or closed (Form Y), 3 terminal (Form C) and 4 terminal (Form Z) SPDT double break.

Features:

- **Low level switching capability**
- **Less than 25mΩ contact resistance**
- **Up to 8 amps switching capability**
- **Button accepts actuation directly from a cam**
- **Choice of 0.156" & 0.200" wide models**
- **Choice of 6 standard terminal styles or wire leads**
- **Available in Commercial & Military grades**
- **UL recognized & CSA certified**
- **Qualified under MIL-PRF-8805/76 & MIL-PRF-8805/101**
- **RoHS/WEEE/Reach compliant**

APPLICATIONS

OTTO sub-subminiature switches are designed to meet all applications requiring MIL-PRF-8805/76 or MIL-PRF-8805/101 switches. Basic switches are designed for miniature spaces where cam or other limit actuators are used. In addition, toggle, pushbutton and lever actuators are available.



Standard Characteristics/Ratings:

ELECTRICAL RATINGS:

Circuitry	Load	Sea Level @ 28VDC	70,000 feet @ 28VDC	Sea Level @ 115VAC, 60/400Hz
SPST-NO or NC	Resistive	8A	8A	8A
Form Z		5A	5A	5A
Form C		5A	5A	5A
Gold Contacts		5A	5A	N/A
SPST-NO or NC	Inductive*	5A	3A	5A
Form Z		3A	2A	3A
Form C		2.5A	1.5A	2.5A
Gold Contacts		3A	2A	3A
*L/R = 0.026				
Lamp		1A	N/A	1A
Motor		5A	N/A	
DWV		1050Vrms	400Vrms	

Low Level:	Gold contacts 10mA @ 30mV
Electrical Life:	50,000 cycles at full load
Mechanical Life:	1,000,000 cycles
Seal:	Unsealed
Operating Temp Range:	-65°C to +125°C
Operating Force:	5 oz +/- 2 oz typical, 6 oz max, or 5 oz min options
Release Force:	1.5 oz min
Operate Point:	0.320 +/- 0.015 inches from mounting holes
Overtravel:	0.004 inches min
Movement Differential:	0.018 +/- 0.008 inches
MATERIALS:	
Case:	Thermoset, blue
Cover:	Thermoplastic, blue
Button:	Thermoplastic, black
Terminals:	Brass with gold
Contacts:	Stationary: Silver with gold plate Moveable: Silver with gold plate
Terminal Hardware:	None provided
Mounting Hardware:	None provided

COMMERCIAL & MILITARY GRADES, SUB-SUBMINIATURE DOUBLE BREAK, SNAP-ACTION

CONTACT CONFIGURATIONS:

MIL-PRF-8805/76 and MIL-PRF-8805/101 specify single pole, double throw, double break (Form Z) contact configuration. Available and included in the military specifications are SPNO and SPNC double break, (Form X and Y). The MIL-PRF-8805/101 also specifies SPDT Form C.

MILITARY APPROVALS

(MIL-PRF-8805/76 & MIL-PRF-8805/101)

Certain OTTO B3 models have been qualified to the military specifications for these parts. The following is a partial listing. Consult the Cross Reference that appears at the back of this catalog for the latest, complete listings.

MILITARY NO.	OTTO P/N	MILITARY NO.	OTTO P/N
MS27257-1	B3-26141	M8805/101-011	B3-15141
MS27257-2	B3-22141	M8805/101-012	B3-15142
M8805/101-001	B3-10064	M8805/101-013	B3-13141
M8805/101-002	B3-10065	M8805/101-014	B3-13142
M8805/101-003	B3-10066	M8805/101-015	B3-11131
M8805/101-004	B3-10067	M8805/101-016	B3-11132
M8805/101-005	B3-10063	M8805/101-017	B3-12131
M8805/101-006	B3-10072	M8805/101-018	B3-12132
M8805/101-007	B3-11141	M8805/101-019	B3-15131
M8805/101-008	B3-11142	M8805/101-020	B3-15132
M8805/101-009	B3-12141	M8805/101-021	B3-13131
M8805/101-010	B3-12142	M8805/101-022	B3-13132

ORDERING INFORMATION:

B3 Basic

Select the OTTO B3 basic switch to match your specific circuit and mechanical requirements. To order, specify your requirement using the OTTO Part Number Code shown below.

Example: B3-12141 is 0.156" wide, has 1/8" long turret terminals, 5 oz operating force, SPDT double break and silver/gold contacts (MIL-PRF-8805/101).

B3 PART NUMBER CODE

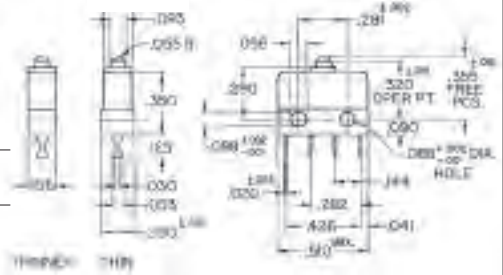
Bold Code items signify conformance to MIL-PRF-8805 specifications.

B3	-	X	X	X	X	X
Model		Terminal Style or Wire Length	Operating Force	Circuitry		Contact Material
1. 0.156" (MIL Grade)		1. PC Pins	1. 5 ⁺³ / ₂ oz	1. SPNO-DB, Form X		1. Silver/Gold - High Current
2. 0.200" (MIL Grade)		2. Turret, 1/8" lg.	2. 5 oz min	2. SPNC-DB, Form Y		2. Silver/Gold - Low Current
3. 0.156" (Com'l Grade)		3. Turret, 3/16" lg.	3. 6 oz max	3. SPDT, Form C		
4. 0.200" (Com'l Grade)		4. Wire Wrap		4. SPDT-DB, Form Z		
		5. Right Angle PC Pins				
		6. Solder ①				
		A. With Wires 06.0" lg.				
		B. With Wires 12.0" lg.				
		C. With Wires 18.0" lg.				
		D. With Wires 24.0" lg.				
		E. With Wires 30.0" lg.				

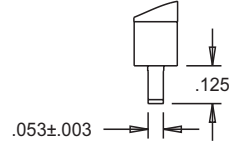
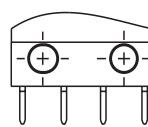
① Available on 0.200" wide models only.

Basic Switch shown with Solder Turret Terminals

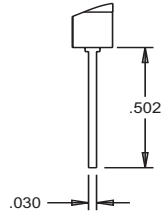
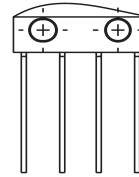
Terminal Style	Dim. "A" Length
2	0.125"
3	0.187"



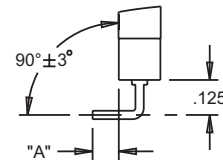
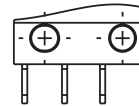
Printed Circuit Pin Terminal Style 1



Wire Wrap Terminal Style 4

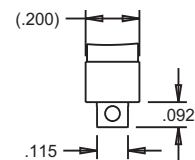
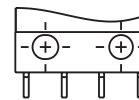


Right Angle Printed Circuit Terminal Style 5



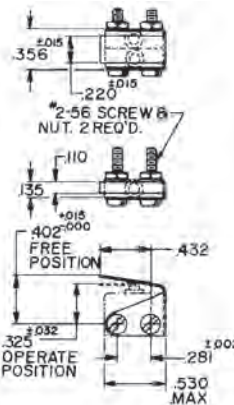
SWITCH WIDTH	DIM. "A"
.156	.092
.200	.070

Solder Terminal Style 6



Available on the 0.200" model only.

Auxiliary Lever Actuators for B3



Catalog Number	Number of Poles
A1-101-02	1
A3-102	2

Supplied with two 2-56 panhead screws, hex nuts and lockwashers.

SUBMINIATURE DOUBLE BREAK, SNAP-ACTION COMMERCIAL & MILITARY GRADES

B5 series basic switches are subminiature in size and feature up to 10 amps switching capability of 100,000 cycles. Mechanical life is one million cycles.

The molded housing is rugged and structurally stable. The terminals are sealed against solder flux entering the switch and are bright acid tin plated for excellent solderability.

A variety of actuators for pushbutton, toggle and lever actuation are available in standard and custom configurations.



Solder Terminal Style



Features:

- Up to 10 amps switching capability
- High contact pressure
- Precision operating points
- Button accepts actuation directly from cam
- Constructed in accordance with MIL-PRF-8805/7
- Available in Commercial & Military grades
- Choice of four standard terminal styles or wire leads
- UL recognized
- B5-21141 QPL to MS27217-1
- RoHS/WEEE/Reach compliant

Standard Characteristics/Ratings:

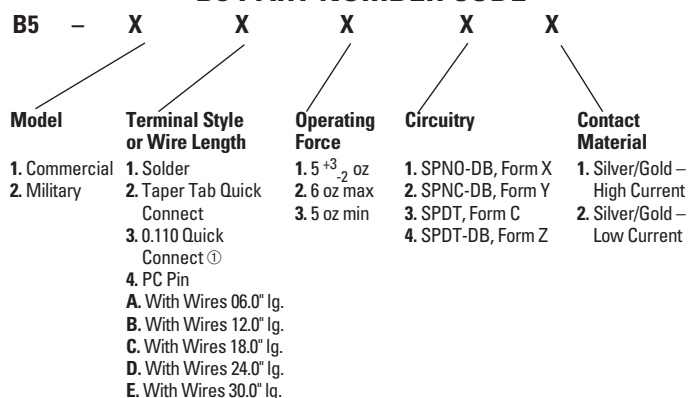
ELECTRICAL RATINGS:

Circuitry	Load	Sea Level @ 28VDC or @ 115VAC, 60Hz	70,000 feet @ 28VDC or @ 115VAC, 60Hz	Sea Level @ 125/250VAC, 60Hz
SPNO-DB & SPNC-DB	Resistive	10A	10A	10.1A
	Inductive*	7.5A	3.5A	5A
	Lamp	1A	N/A	3A
SPDT-DB	Resistive	10A	10A	10.1A
2 Circuit	Inductive*	5A	2A	5A
	Lamp	3A	N/A	1.5A
SPDT	Resistive	10A	10A	10.1A
	Inductive*	3A	1.5A	N/A
	Lamp	3A	N/A	N/A

*L/R = 0.026

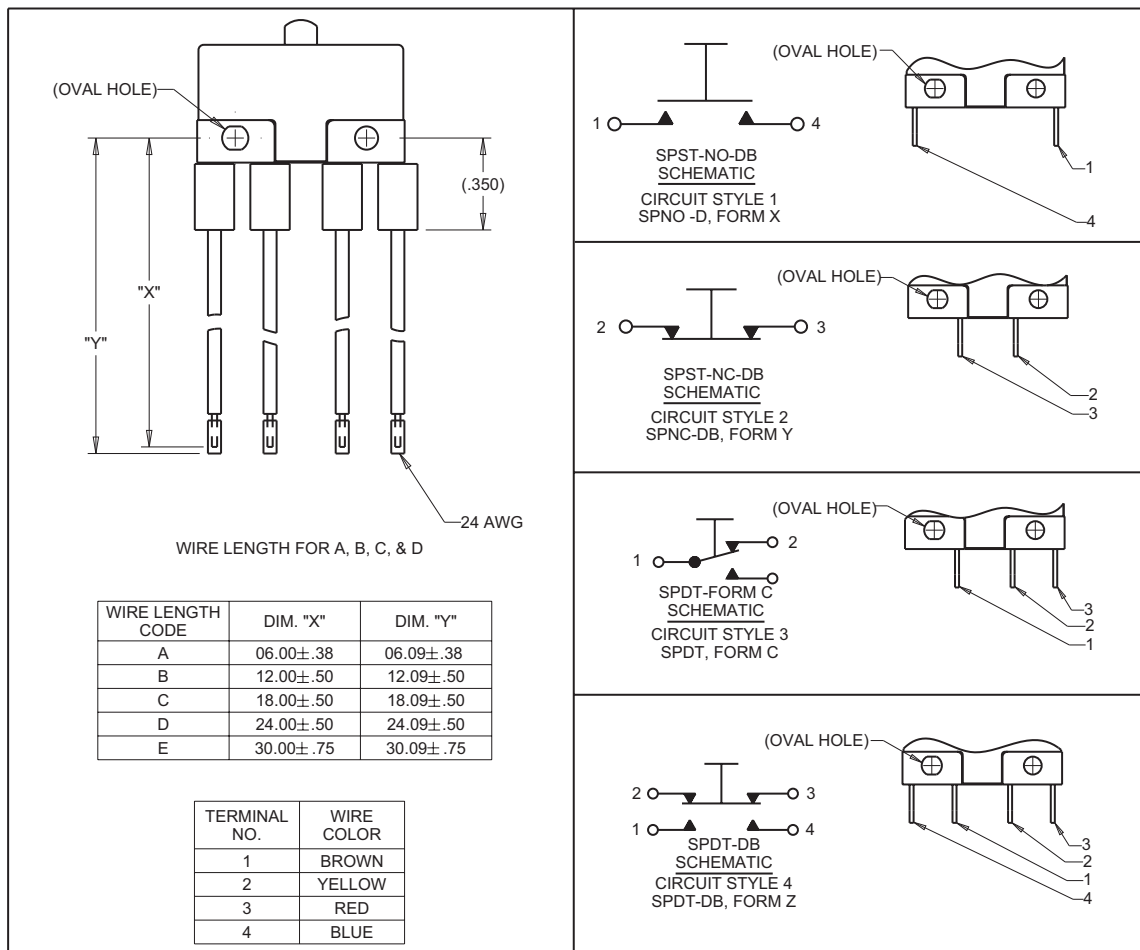
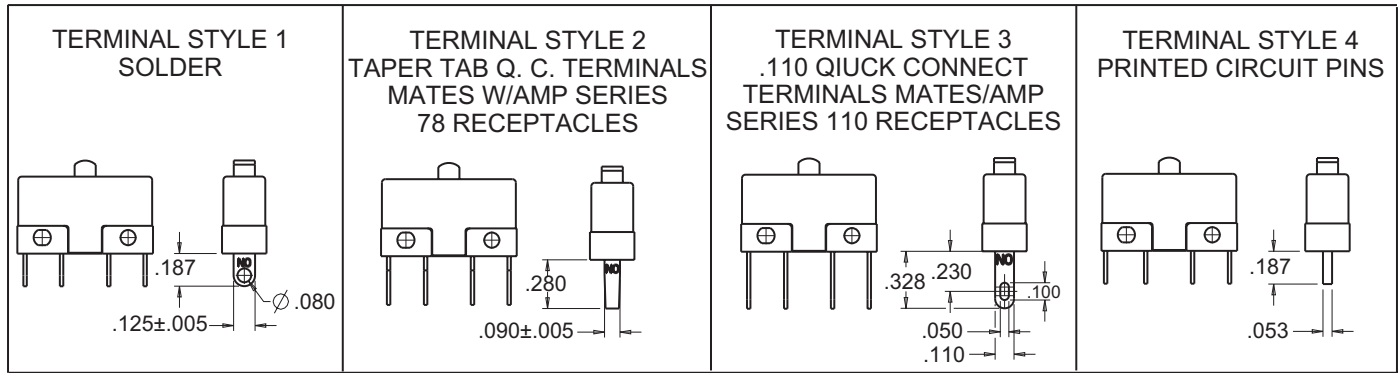
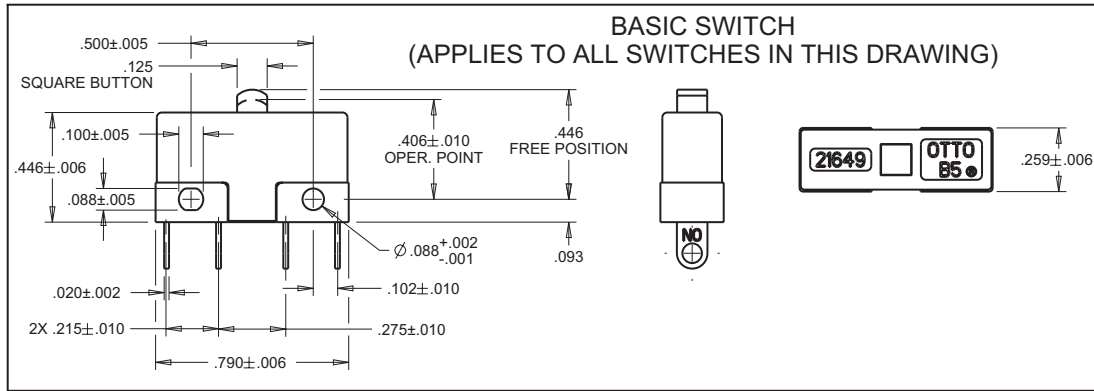
Electrical Life:	100,000 cycles
Mechanical Life:	1,000,000 cycles
Seal:	Unsealed
Operating Temp Range:	-65°C to +125°C
Operating Force:	5 oz, +3/-2 oz or 6 oz max or 3 oz min
Release Force:	2 oz min
Operate Point:	0.406 +/- 0.010 inches from mounting holes
Overtravel:	0.012 inches min
Movement Differential:	0.020 +/- 0.005 inches
Pretravel:	0.050 inches max
MATERIALS:	
Case:	Thermoset, blue
Cover:	Thermoset, blue
Button:	Thermoplastic, black
Terminals:	End or front solder type brass with bright acid tin plating
Contacts:	Stationary: Silver with gold Moveable: Silver with gold
Terminal Hardware:	None provided
Mounting Hardware:	None provided

B5 PART NUMBER CODE



① Mates with AMP Series 110 receptacles.

SUBMINIATURE DOUBLE BREAK, SNAP-ACTION COMMERCIAL & MILITARY GRADES



DOUBLE POLE, 4 CIRCUIT SUBMINIATURE

B5-7
BASIC SWITCHES

COMMERCIAL & MILITARY GRADES, SNAP-ACTION, DOUBLE BREAK BASIC SWITCHES

Two switches in one case! The B5-7 series basic switches are subminiature in size but feature up to 10 amps switching capability of 100,000 cycles.

The molded housing is rugged and structurally stable. The terminals are sealed against solder flux entering the switch and are bright acid tin plate brass for excellent solderability. B5-71 has end terminals; B5-72 has front terminals.

A variety of custom configured actuators for pushbutton, toggle and lever actuation are available.

Features:

- Up to 10 amps switching capability
- Simultaneity of both poles to within 0.004"
- Button accepts actuation directly from cam
- Constructed in accordance with MIL-PRF-8805
- Available in Commercial & Military grades
- Choice of end or front terminals
- RoHS/WEEE/Reach compliant



End Terminal Style



Front Terminal Style

Standard Characteristics/Ratings:

ELECTRICAL RATINGS: See chart below

Electrical Life:	50,000 cycles
Mechanical Life:	100,000 cycles
Seal:	Unsealed
Operating Temp Range:	-65°C to +125°C
Operating Force:	12 +/- 4 oz
Release Force:	5 oz min
Operate Point:	0.396 +/- 0.010 inches from mounting holes
Overtravel:	0.012 inches min
Simultaneity:	Within 0.004 inches
Movement Differential:	0.020 +/- 0.010 inches
Pretravel:	0.050 inches max

MATERIALS:

Case:	Thermoset, blue
Cover:	Thermoset, blue
Button:	Thermoplastic, black
Terminals:	End or front solder type brass with bright acid tin plating
Contacts:	Silver with gold
Terminal Hardware:	None provided
Mounting Hardware:	None provided

Catalog Number	Type of Load	Sea Level @ 28VDC DPDT	Sea Level @ 28VDC 4 Circuit	Sea Level @ 115VAC, 60Hz DPDT	Sea Level @ 115VAC, 60Hz 4 Circuit	70,000 feet @ 28VDC DPDT	70,000 feet @ 28VDC 4 Circuit	Contact Plating Over Silver
B5-71001 & B5-72001	Resistive	10A	10A	7.5A	5A	10A	10A	Gold
B5-71001	Inductive*	7.5A	5A	5A	5A	3.5A	2A	Gold
B5-72001	Inductive	5A	2A	5A	5A	3.5A	2A	Gold
B5-71001 & B5-72001	Lamp	4A	3A	3A	1.5A	N/A	N/A	Gold
B5-71004 & B5-72004	Resistive	5A	5A	N/A	N/A	5A	5A	Gold
B5-71004 & B5-72004	Inductive*	3A	3A	N/A	N/A	3A	3A	Gold
B5-71002 Low Level	Resistive	1A	1A	N/A	N/A	1A	1A	Gold
B5-72002 Low Level	Inductive*	0.5A	0.5A	N/A	N/A	0.5A	0.5A	Gold
Dielectric Withstand:		1050Vrms	1050Vrms	1050Vrms	1050Vrms	400Vrms	400Vrms	

*L/R = 0.026

